

**TH**

**5,5.19**



CONSTRUCTION



LOGISTICS



EVENTS AND  
FILM



TH  
5,5.19



**CAB**

Best-in-class  
safety and visibility



**PERFORMANCE**

Unrivalled lifting  
performance



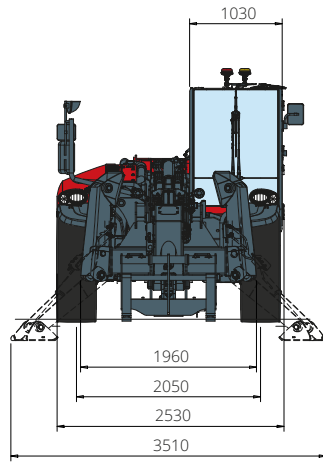
**LOAD LIVE DIAGRAM**

Three real-time dynamic  
load charts

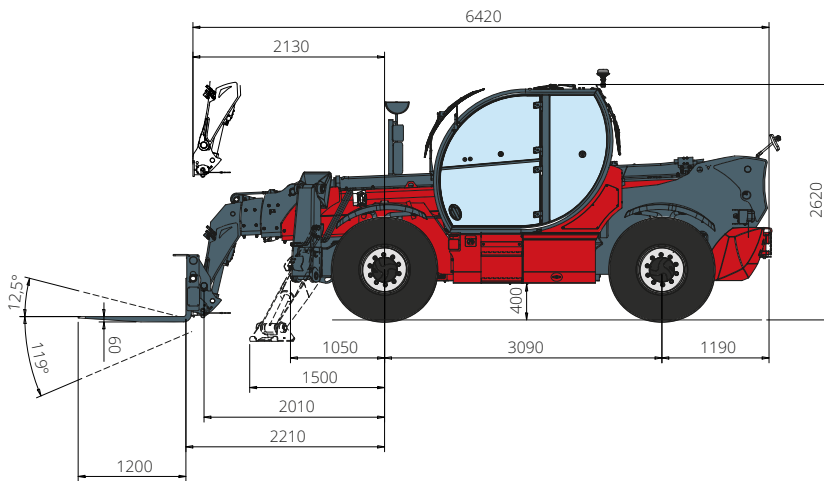
# TH

## 5,5.19

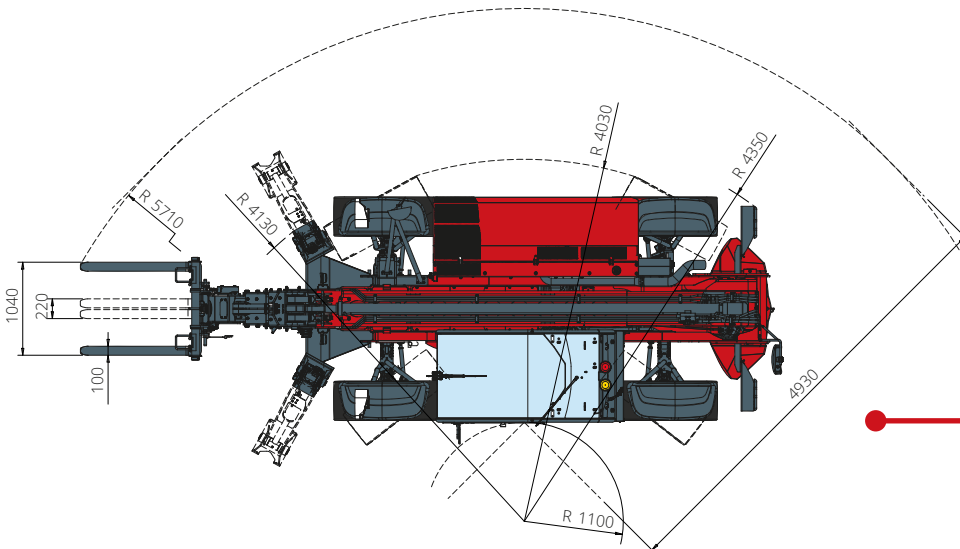
### DIMENSIONS (mm)



**FRONT**  
view

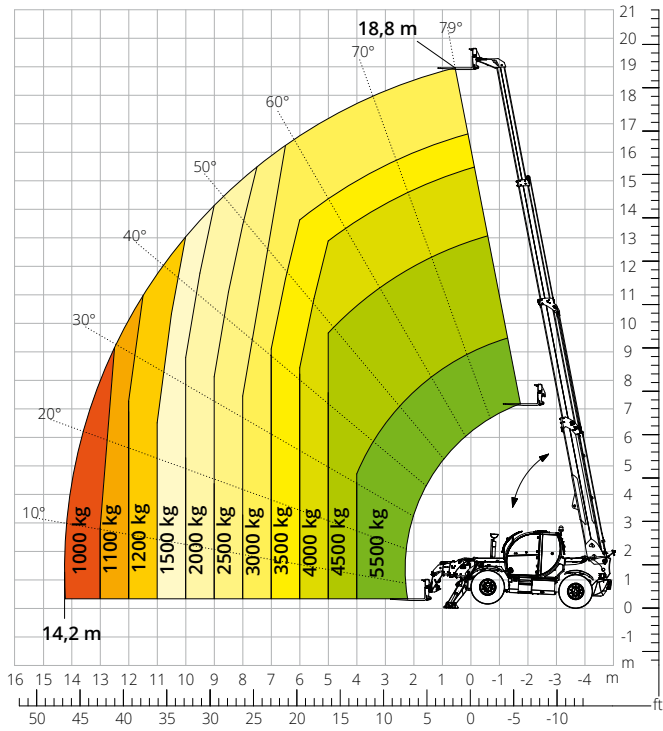


**SIDE**  
view

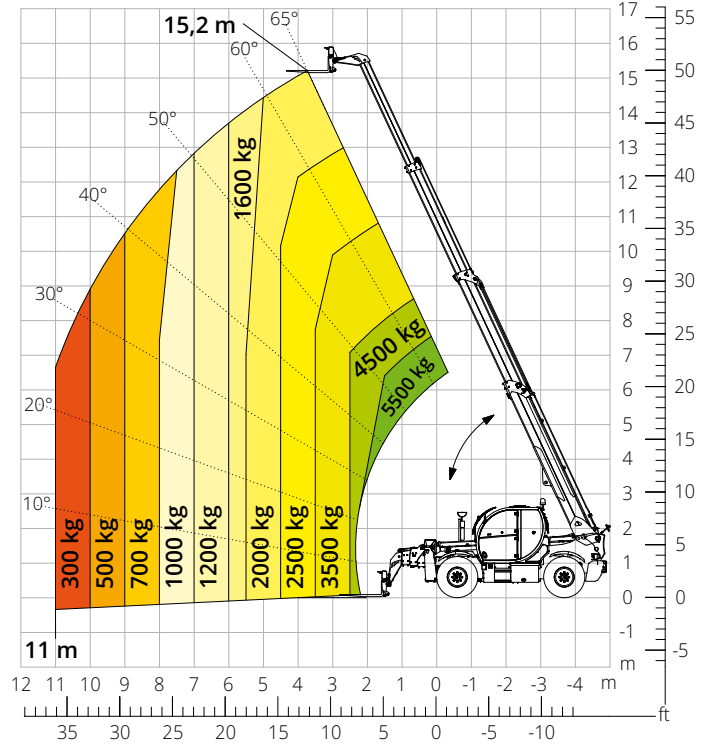


**TOP**  
view

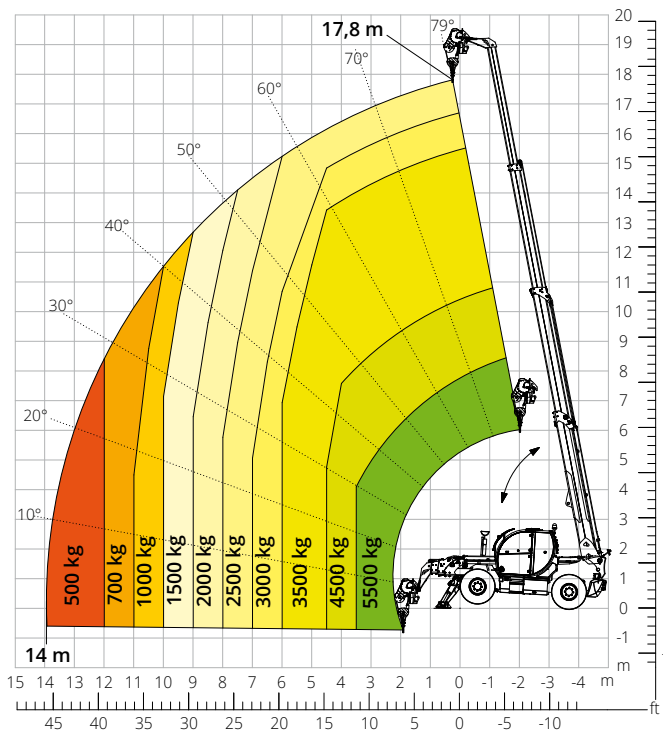
Load chart with  
**FULLY EXTENDED STABILISERS (360°)**  
ATT-03-040



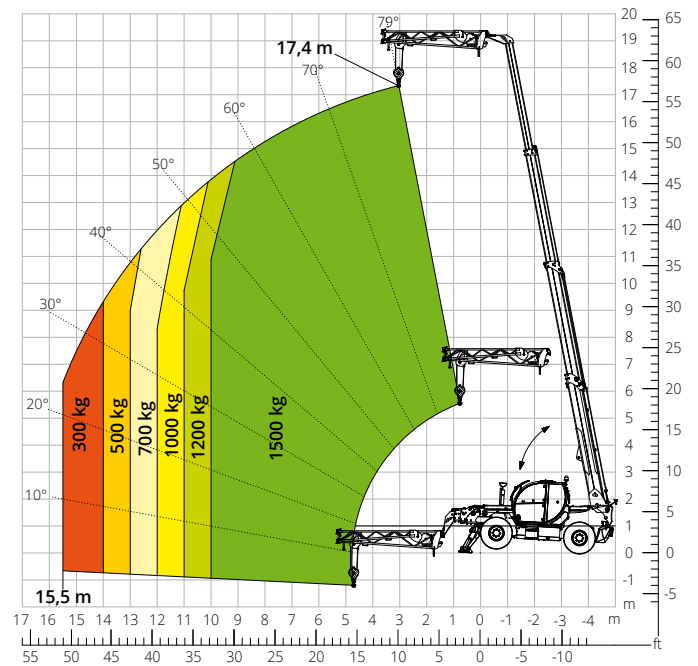
Load chart  
**FRONT ATTACHMENT ON TYRES**  
ATT-03-040



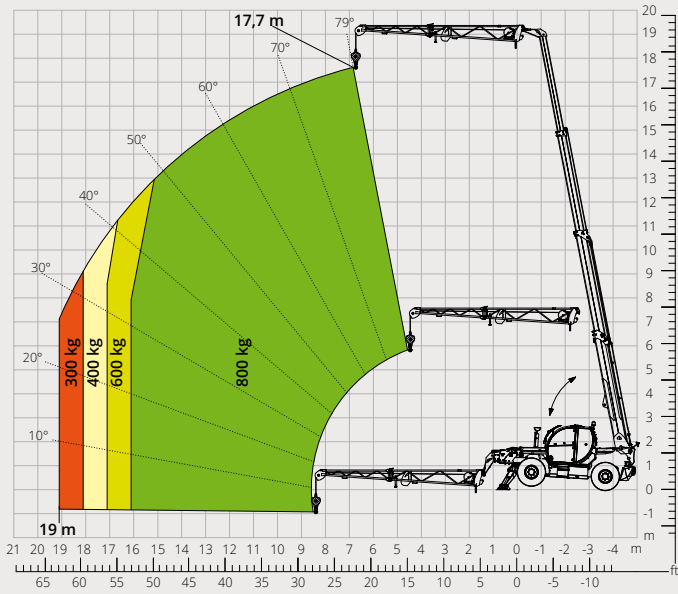
Load chart with  
**WINCH, 6,000 kg**  
ATT-02-004



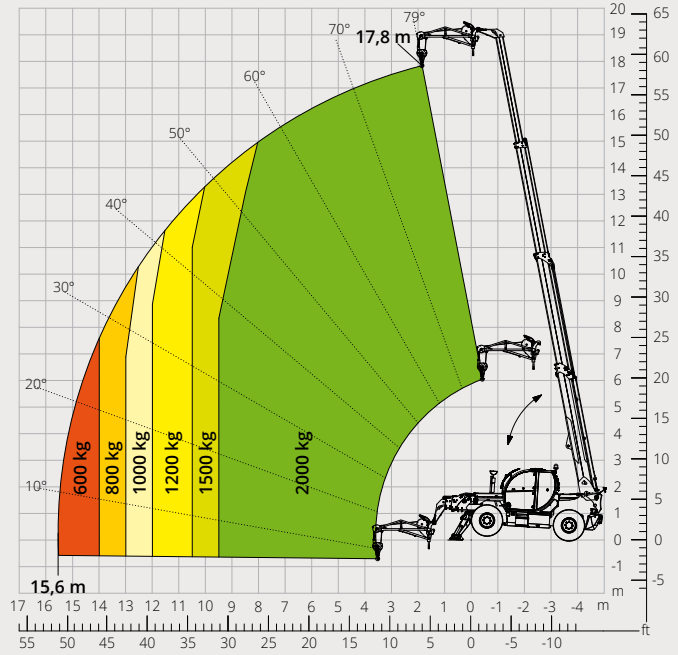
Load chart with  
**JIB WITH WINCH, 1,500 kg**  
ATT-04-011



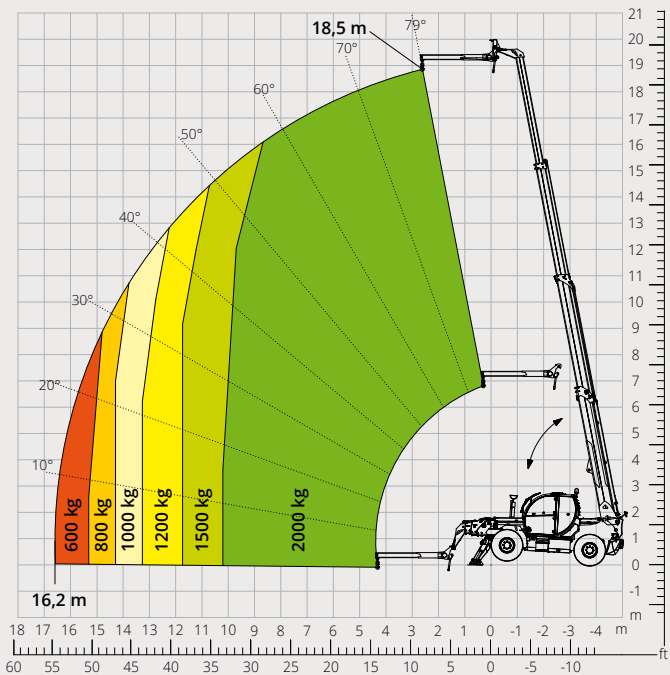
Load chart with  
**ROTATING EXTENDABLE PLATFORM,**  
**500 kg**  
 ATT-04-007



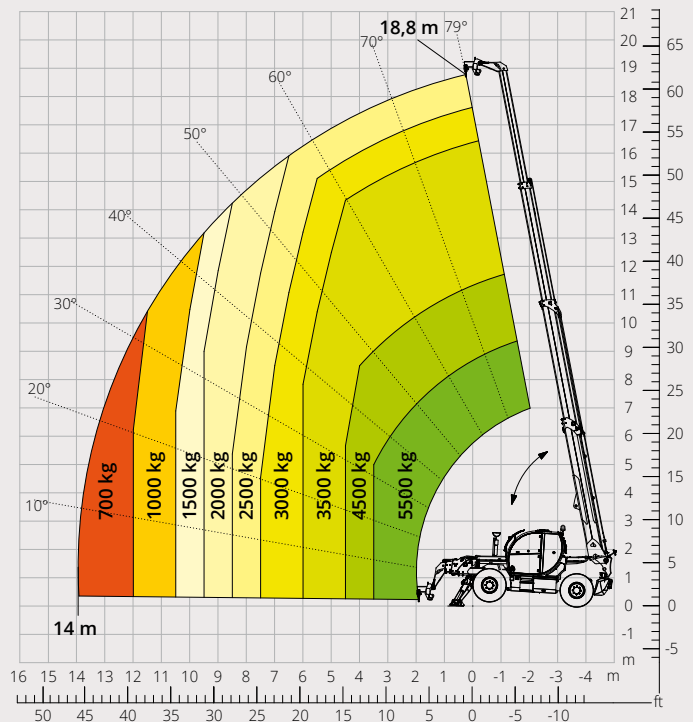
Load chart with  
**JIB WITH WINCH, 2,000 kg**  
 ATT-04-015



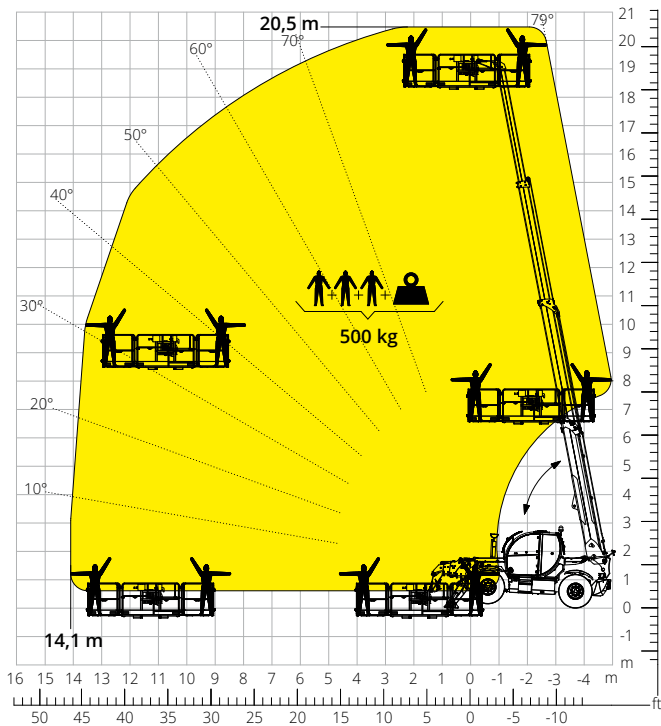
Load chart with  
**JIB, 2,000 kg**  
 ATT-04-013



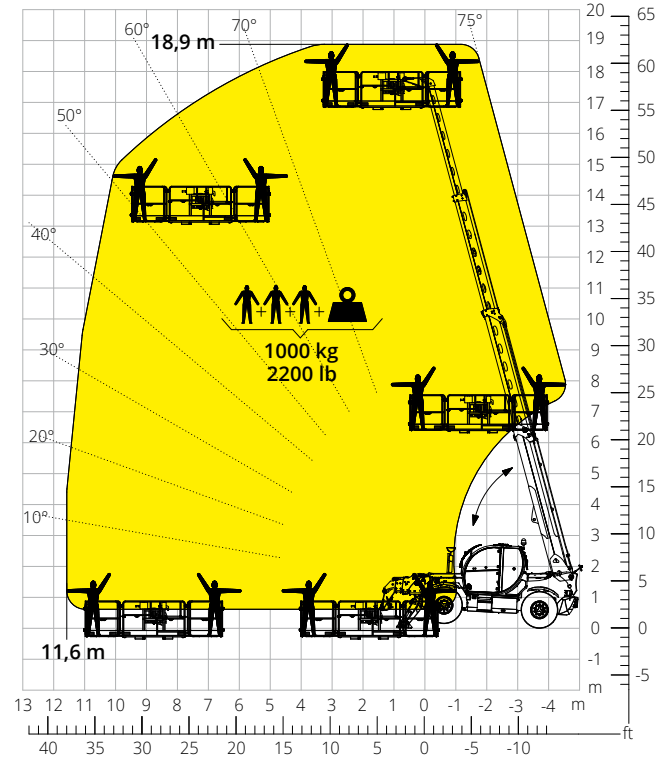
Load chart with  
**HOOK, 6,000 kg**  
 ATT-05-001



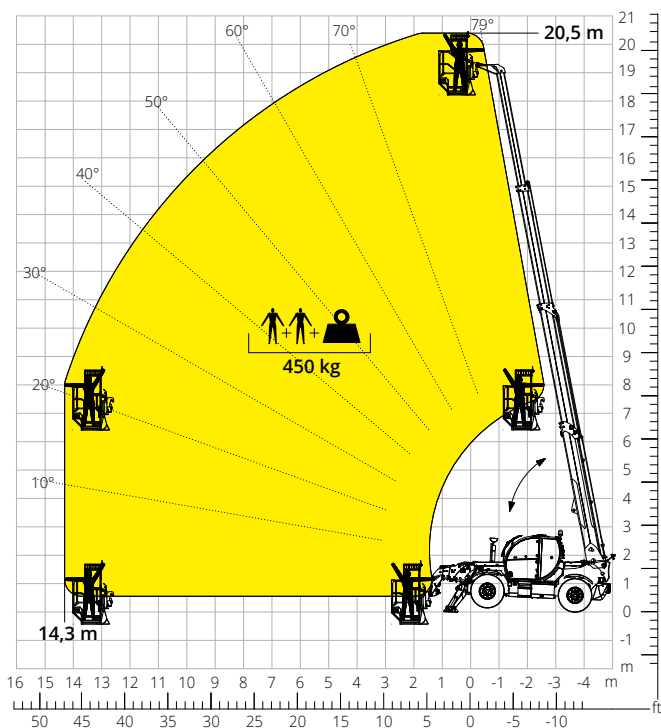
Load chart with  
**ROTATING EXTENDABLE PLATFORM,**  
**500 kg**  
ATT-01-007



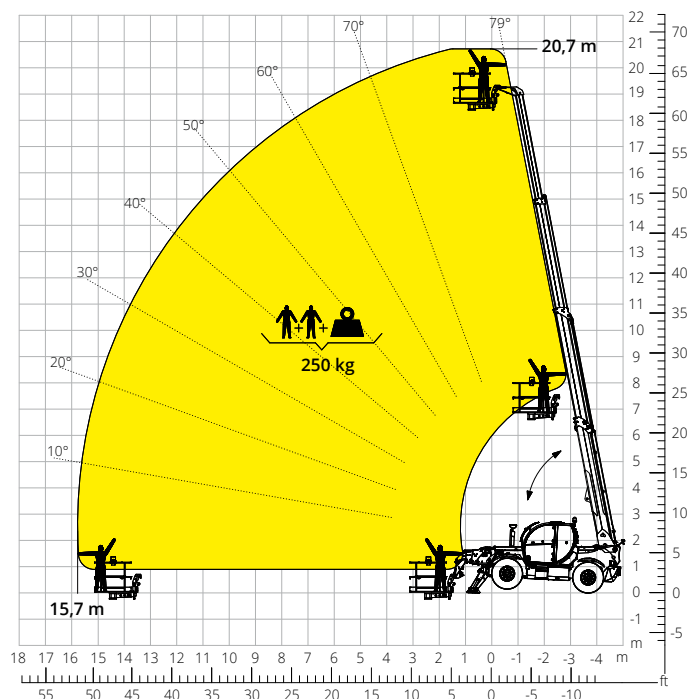
Load chart with  
**ROTATING EXTENDABLE PLATFORM,**  
**1,000 kg**  
ATT-01-016



Load chart with  
**PLATFORM, 450 kg, FOR MINES**  
ATT-01-027



Load chart with  
**FIXED EXTENDABLE PLATFORM, 250 kg**  
ATT-01-003



<b>Machine model</b>	Telescopic handler	TH 5,5.19		
	Maximum lifting capacity	5,500 kg		
	Maximum lifting height	18.80 m		
	Maximum reach	10.40 m		
<b>Stabilizer</b>	Type	Pivoting Stabilizer		
<b>Engine</b>	Model	<b>Deutz TCD 3,6 L4 Stage V</b>	<b>Deutz TCD 3,6 L4 EDG - Stage IIIA</b>	
	Rated power	55,4 kW (75,3 hp) @ 2,200 rpm		
	Maximum torque	405 Nm 1,300 rpm	390 Nm 1,300 rpm	
	Displacement	3,620 cm <sup>3</sup>		
	Cylinders	4 in line		
	Engine configuration	Diesel direct injection turbocharged		
	Cooling system	Water – intercooler		
<b>Transmission</b>	Type	Hydrostatic		
	Maximum pressure	500 bar		
	Gear box	Dropbox, 2 speeds forward-reverse		
<b>Axles and brakes</b>	Type	Axles with planetary gearboxes		
	Front axle	Oscillating and steering with levelling +/- 8°		
	Rear axle	Oscillating and steering with hydraulic locking		
	No. of steering wheels	4WS		
	Steering mode	Frontal/Concentric/Crab		
	Service brake	Hydraulically operated wet multi-disk brakes on each axle		
	Parking brake	Spring applied hydraulic release. Multi-disk brake (S.A.H.R.)		
	Tyres dimensions	445/65 R22,5		
<b>Performance</b>	Max. travel speed	25 km/h		
	Drawbar pull	72 kN		
	Maximum mass towable on hook	3.100 kg		
	Gradeability	51 %		
	Turning radius (end of forks)	5,610 mm		
<b>Weights</b>	Total unladen*	13,500 kg		
	Front axle unladen (boom retracted and lowered)*	5,700 kg		
	Rear axle unladen (boom retracted and lowered)*	7,800 kg		
<b>Tank and system capacities</b>	Fuel tank	145 l		
	AdBlue	10 l		
	Hydraulic oil tank	90 l		
	Engine oil tank	9 l		
	Cooling liquid	20 l		
<b>Hydraulic circuit for movements</b>	Circuit type	Load sensing		
	Service pump	Variable displacement		
	Max. hydraulic flow rate	90 l/min		
	Max. boom head flow rate	75 l/min		
	Max. operating system pressure	350 bar		
	Controls for boom movements	Electro-proportional valve		
	Movements control	1 joystick Danfoss with FNR switch and dead man safety device - Management with CAN bus technology		
<b>Standard met</b>	2006/42/EC: EU Machinery Directive 2016/1628: EU Regulation on the emissions of stage V engines EN 1459-X: Relating to standards on the safety requirements for variable reach machines EN 280/EN 280-1/EN 280-2: standards relating to mobile elevating work platforms (if available) ROPS/level 2 FOPS: relating to the standards for protective structures			

*The data given in this brochure are provided for information purposes and are subject to change without prior notice.*

*All images are purely guideline and might not give an exact representation of the product.*

*\*the stated weight refers to the vehicle unladen with standard equipment and may vary depending on the chosen configuration.*

The standard machine configuration includes:

## CAB

- Comfort seat with adjustable headrest
- Adjustable steering column
- Analogue joypad
- Adjustable sunblind
- Heating
- Ambient LED lights
- USB Type-A and Type-C (5 V) inputs

## REAL TIME INFORMATION

- Touchscreen, 7"
- MCTS – Magni Combi Touch System on-board software
- Automatic RFID tools recognition system
- LMI – Load Moment Indicator
- LLD – Live Load Diagram
- Onboard and remote integrated diagnostics

## TECHNICAL SPECIFICATIONS

- Q-Fit standard
- Advanced three-line CAN BUS system
- Automatic front and rear wheel alignment
- Automatic parking brake
- Mechanical battery cut-off in engine compartment
- Electrical system: 24 V – IP67

## SERVICE

- Warranty: 24 months/2,000 hours